

Microwave Touchless Switch (MG100)

Instruction Manual



The MG100 is a highly sensitive, high performance switch designed to activate automatic doors by detecting the movement of a person or object. For the safe and accurate use of this product, please read this instruction manual carefully.

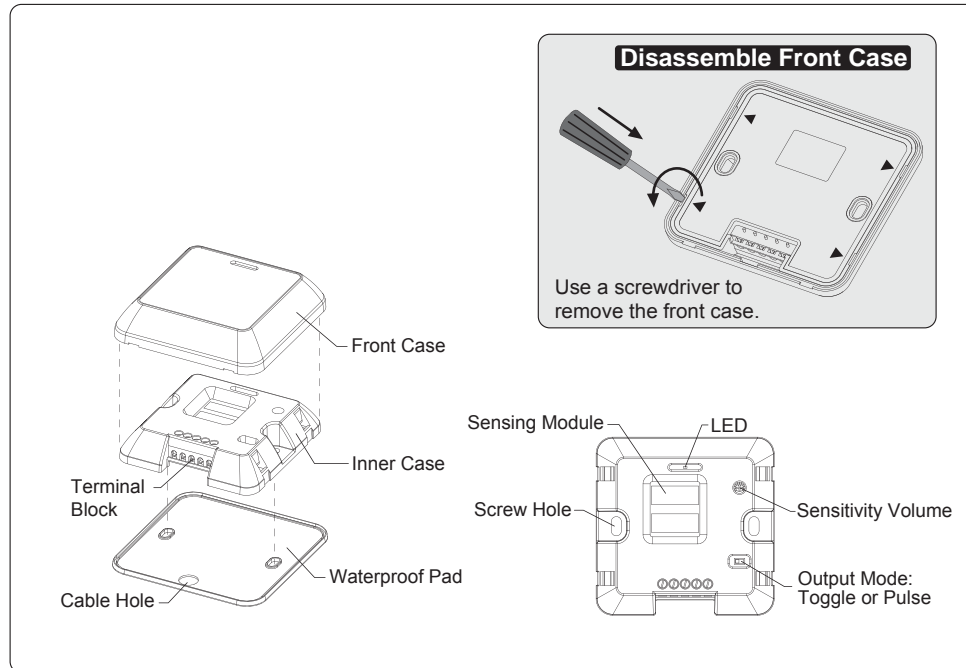


1 Technical specifications

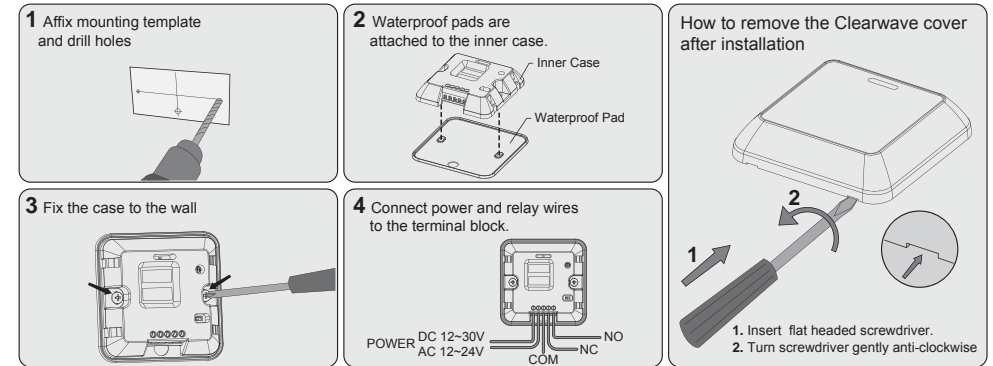
Technology : Microwave Motion Sensor
Microwave Module : 24.125GHz
Product Size : 85.9mm × 85.9mm × 20mm (W × L × H)
Detection Range [Hand] : ±5~40cm
Detection Mode : Motion (Bi-directional)
Speed of Target : Min. ±3cm/s, Max. ±1.5m/s

Power Supply : DC 12~30V, AC 12~24V
Current Consumption : < 1.4W
Output : Relay Contact (1A/24VDC)
Output Hold Time : 1.2Sec. (PULSE mode)
Operating Temp/Humidity : -20°C~+50°C/0~90%
International Protection : IP55

2 General Information

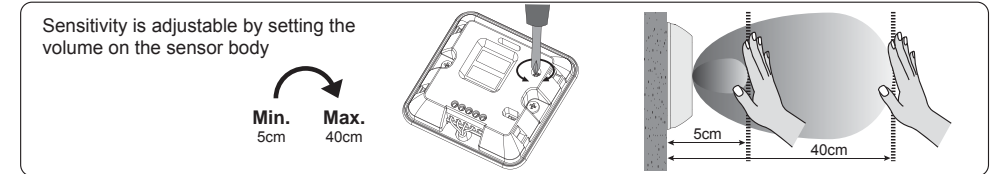


3 Installation Guide

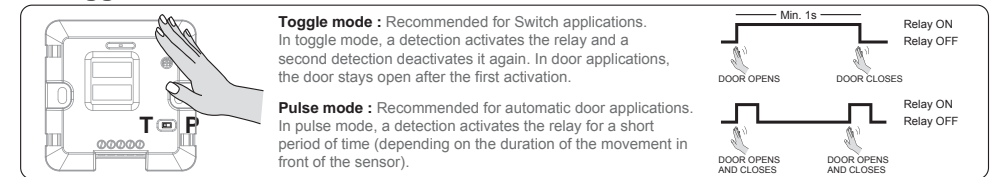


Caution
 Do not supply power during installation.
 Do not disassemble or modify the device, it may cause fire or electric shock

4 Sensitivity Adjustment



5 Toggle mode / Pulse mode



6 Mounting Information

